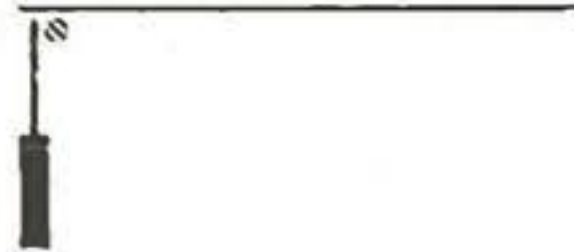
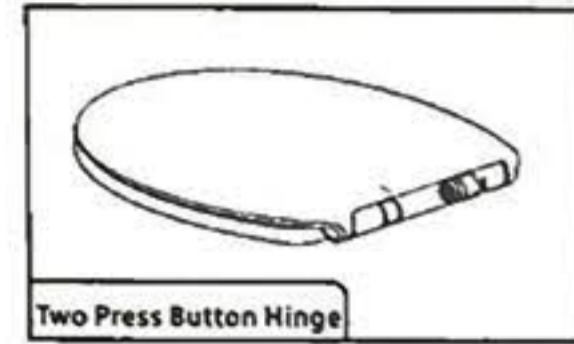


## Installation Instruction

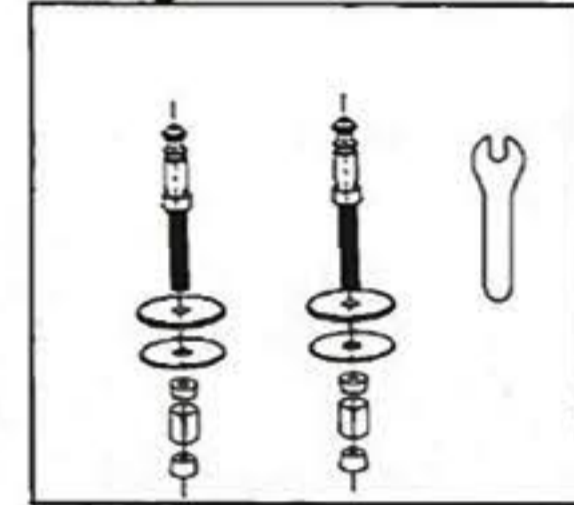


Hinges



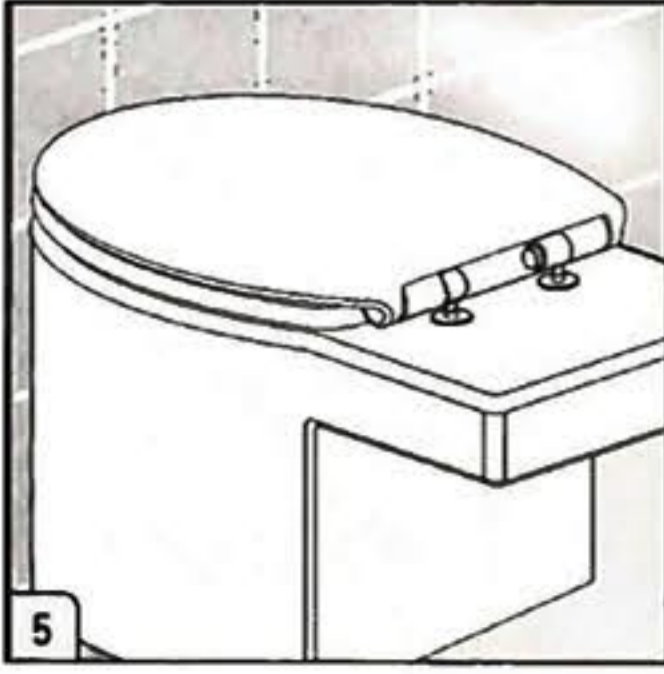
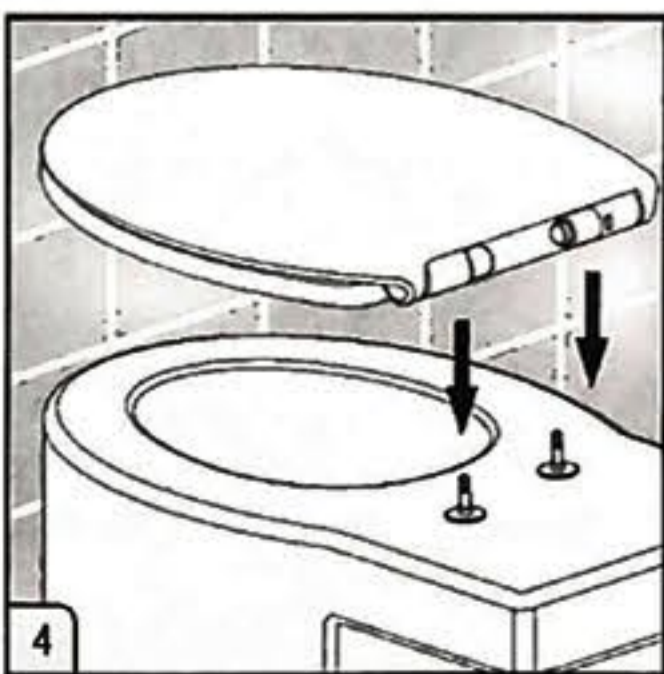
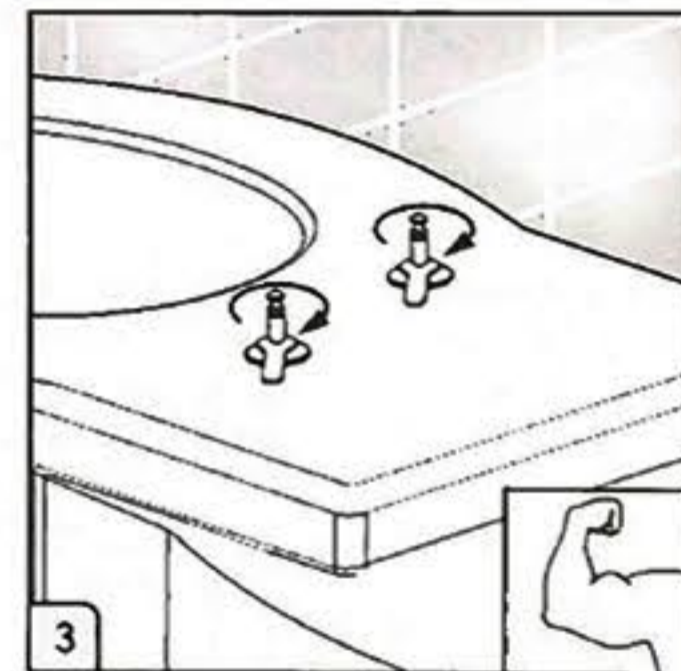
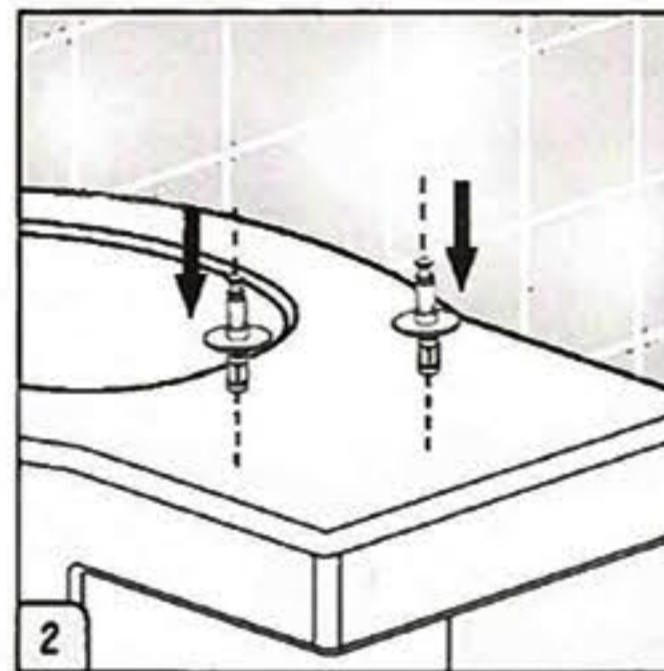
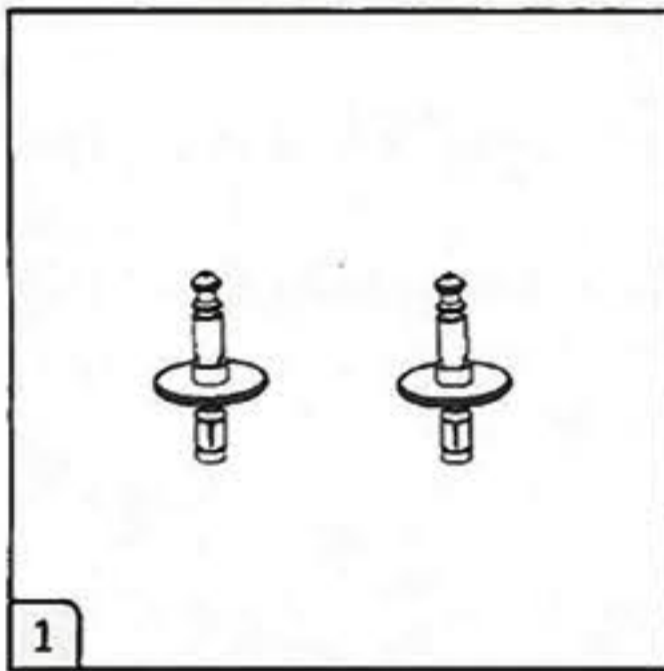
Two Press Button Hinge

Fittings



### Installation Steps

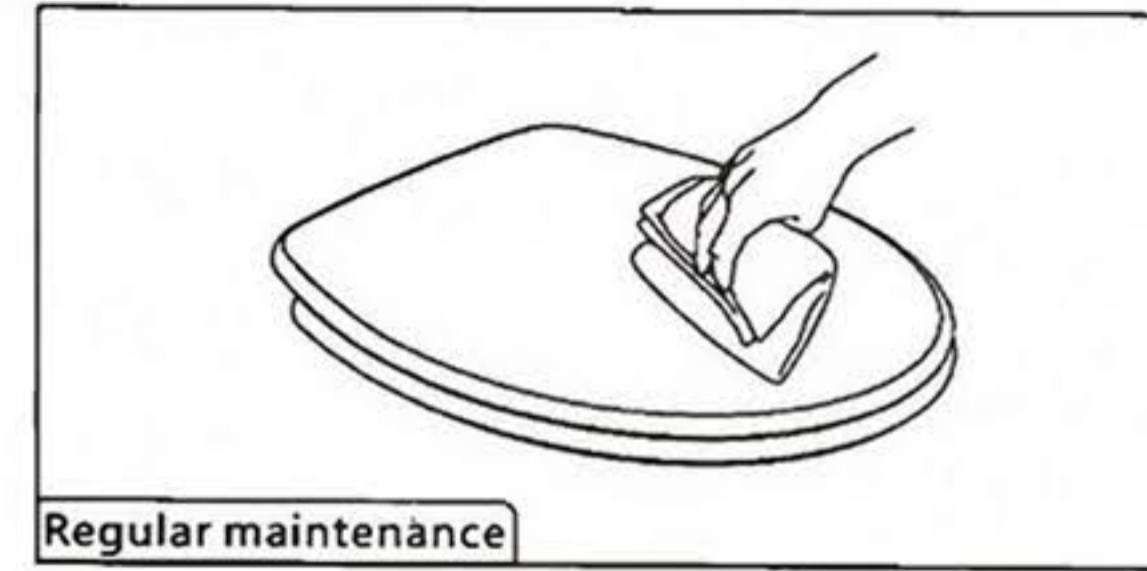
- Before installation, please check all spare parts are ready and match.
- All the above fittings are workable for installation, takes material object as the standard.



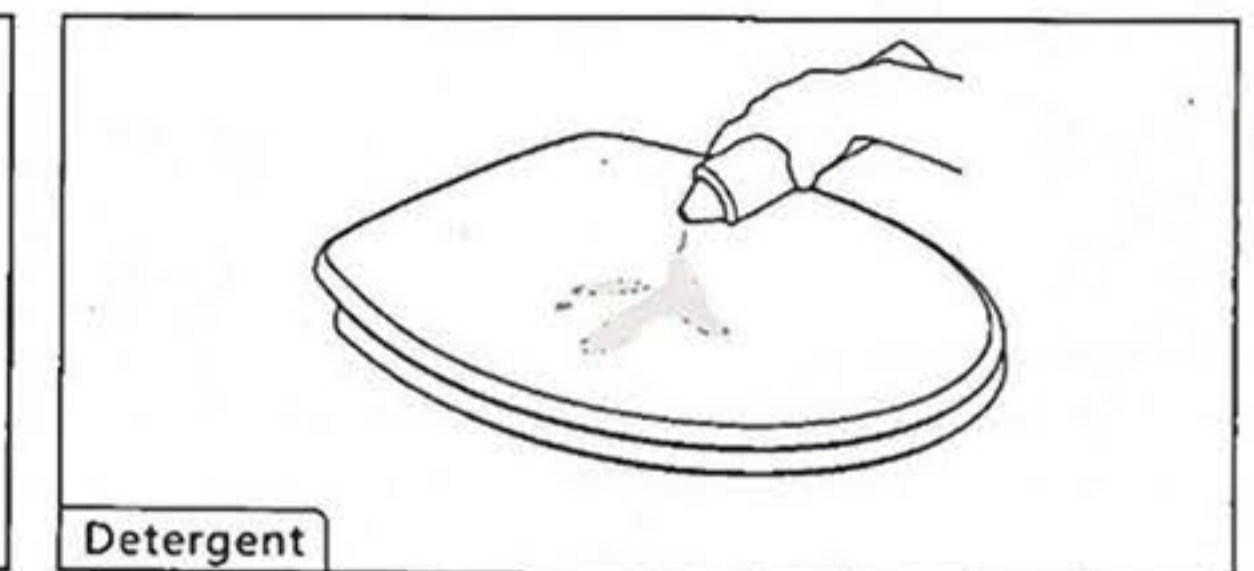
## Installation Instruction

### Maintenances and Cautions

**Attention:** Be careful the damage of toilet seat. Don't stand on the toilet seat, overloading may lead to toilet seat crushing or hinges broken.



Regular maintenance



Detergent

- Please clean the toilet seat with mild cleanser (such as soap water) and warm water, then dry it with clean soft cloth.
- Don't use the high-concentration detergent to clean, which may scratch the surface of the toilet seat and make the toilet seat tarnish.
- Please immediately wipe dry any foam on the surface of plastic toilet seat or electroplating cover.
- Don't clean the toilet seat with abrasive powder.
- Avoid using any disinfectant, detergent or any other spraying cleanser.
- Keep the toilet seat away from chemicals and cosmetics in bathroom.



**ferrfort**  
THE ITALIAN TOILET SEAT



M I L A N O

[www.ferrfort.it](http://www.ferrfort.it)

